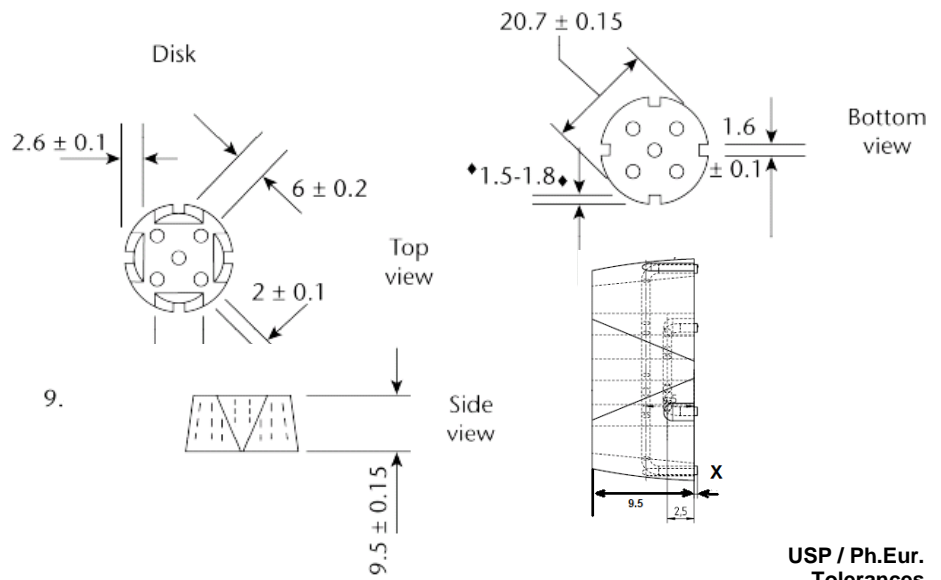




Part **Disintegration Disk**

Part Number	Variant	Dimension X
	18312-XX	0.2 mm
	18312-01	0.3 mm
	18312-02	0.5 mm
	18312-03	1.5 mm
	18312-04	2.0 mm
	18312-05	2.5 mm



USP / Ph.Eur.  
Tolerances

All dimensions in mm

<b>Dimensions</b>	Disk	Specific gravity	1.18 – 1.20 kg/dm <sup>3</sup>
<b>Material</b>	PMMA transparent		

The accuracy of the above mentioned part dimensions have been examined. All relevant measurements are within tolerance and the factory acceptance test has passed. The dimensions are in conformance with USP and Ph. Eur. Pharmacopoeia requirements (at date of approval, see below).

Aesch, 2022-01-26

Bruno Balli  
SOTAX Quality Management  
SOTAX AG | Nordring 1 | 4147 Aesch | Switzerland