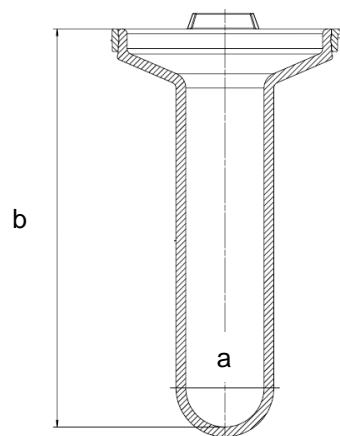


Test Certificate

Part: **Mini Vessel**
 Number: 14535-01
 Serial Number: 73767 - 73781

For SOTAX AT Dissolution Testing Systems



Dimensions:	Inside Ø	a	40 mm +/- 1 mm
	Height	b	203.8 mm +/- 0.5mm

With hemispherical bottom

Material: Borosilicate glass

The accuracy of the above mentioned part dimensions have been examined. All relevant measurements are within tolerance and the factory acceptance test has passed.

SOTAX Quality Management
 Bruno Balli
 2018-02-27


 Signature